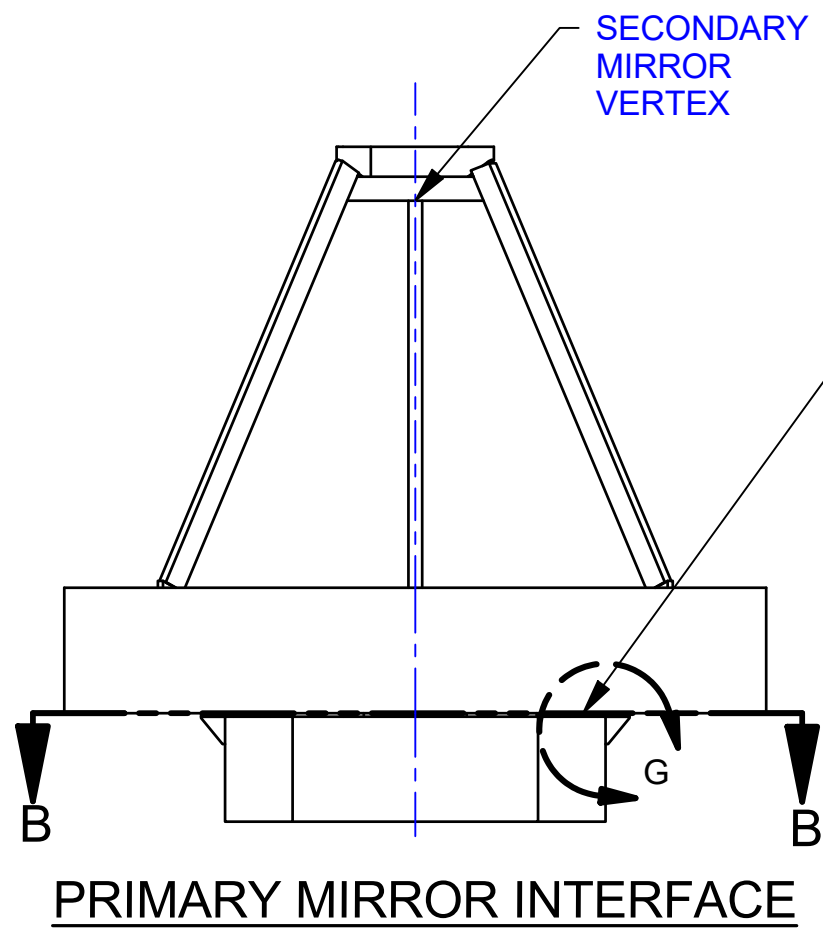
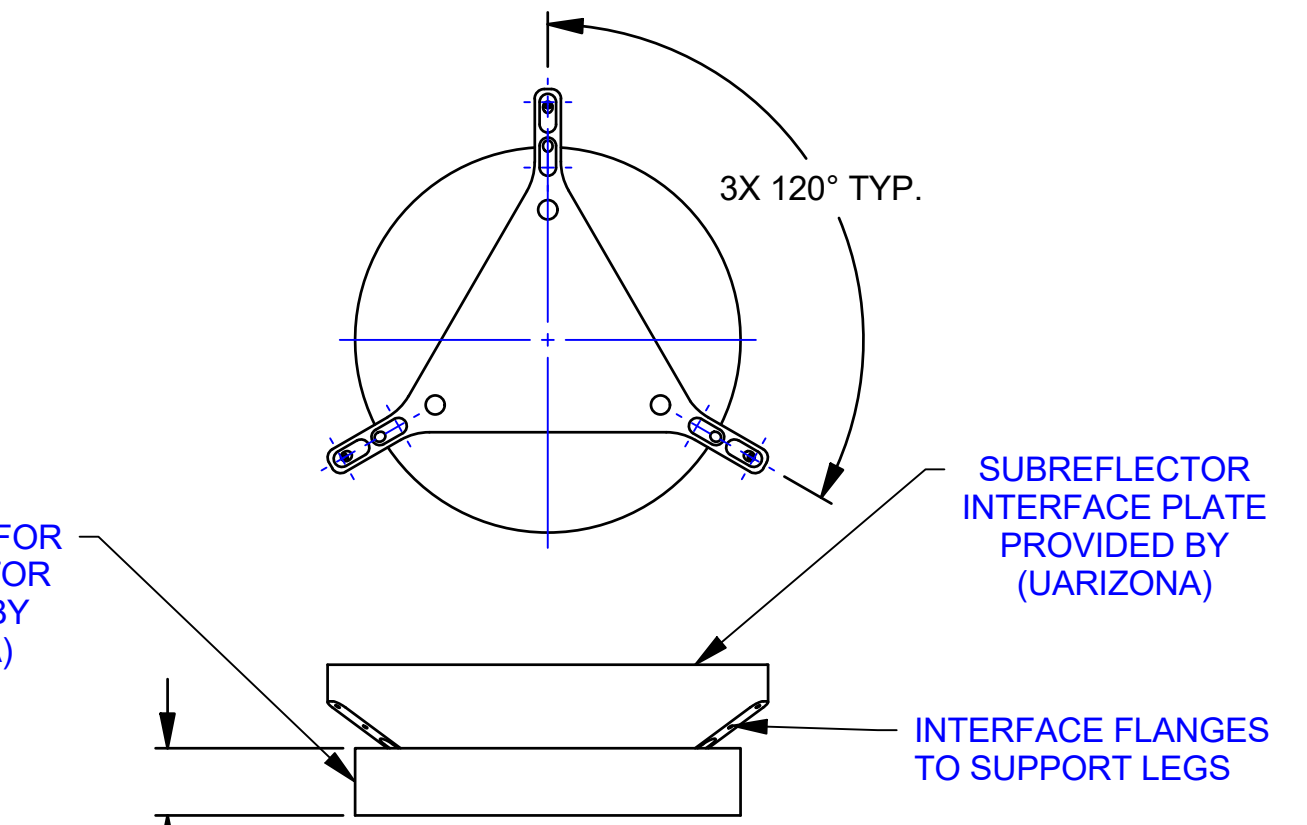


REVISION HISTORY				
REV	DESCRIPTION	DATE	REVISED BY	APPROVED
A	INITIAL RELEASE	04/10/2020	M. SULLIVAN	J. GUZMAN
B	DESIGN CHANGES	04/23/2020	M. SULLIVAN	J. GUZMAN
C	CORRECT DIMENSIONS	07/13/2020	J. GUZMAN	N. EMERSON
D	CORRECT DIMENSIONS	07/16/2020	M. SULLIVAN	J. GUZMAN

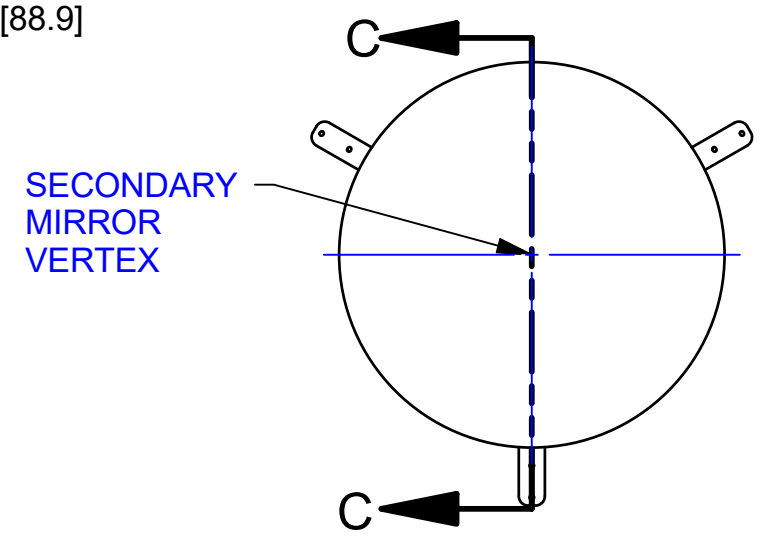
DO NOT SCALE DRAWING INTERPRET DIMENSIONS AND TOLERANCES IN ACCORDANCE WITH ASME Y14.5M-94		THIS DRAWING CREATED IN: ACAD <input type="checkbox"/> MECH <input type="checkbox"/> IDEAS <input type="checkbox"/> INV <input checked="" type="checkbox"/>		Steward Observatory, University of Arizona 933 N. Cherry Avenue, Tucson, AZ 85721 (520)621-7659	
TOLERANCES UNLESS OTHERWISE SPECIFIED LINEAR .X = ± .1 .XX = ± .01 .XXX = ± .005 ANGULAR ± 1° DIAMETRICAL: SEE SPEC S-002 DIMENSIONS ARE IN INCHES / DIMENSIONS IN [ ] ARE METRIC		ENGINEER: J. GUZMAN	DATE: 4/10/2020	CATEGORY: TIM TELESCOPE	
MATERIAL: N/A	FINISH: N/A	DESIGNED BY: M. SULLIVAN	DATE: 4/10/2020	PROJECT: TIM TELESCOPE ICD	
		DRAWN BY: M. SULLIVAN	DATE: 4/10/2020	TITLE: TIM TELESCOPE ICD	
		CHECKED BY: A. FERN	DATE: 4/10/2020		
		APPROVED: J. GUZMAN	DATE: 4/10/2020		
		APPROVED:	DATE:	DRAWING NUMBER: 37785	REVISION: D
		NEXT ASSY	USED ON	SHEET 1 OF 3	
		ASSEMBLY APPLICATION			



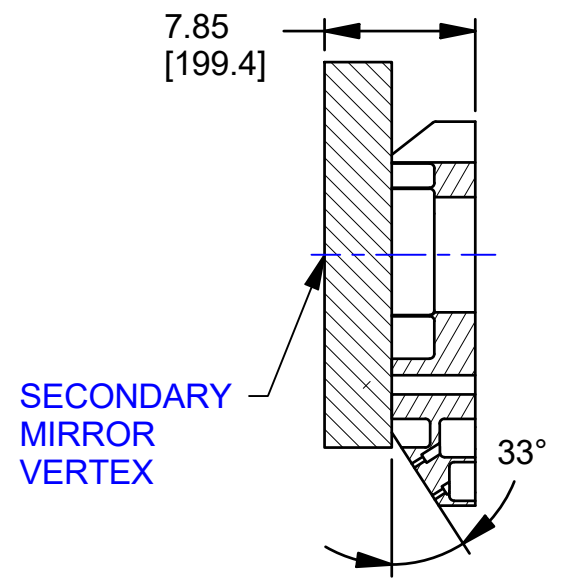
CLEARANCE FOR SUBREFLECTOR PROVIDED BY (UARIZONA)



3.50 [88.9]



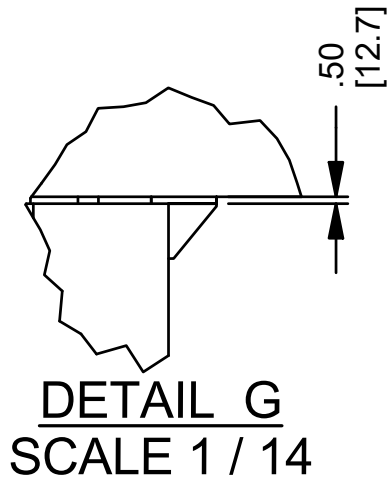
7.85 [199.4]



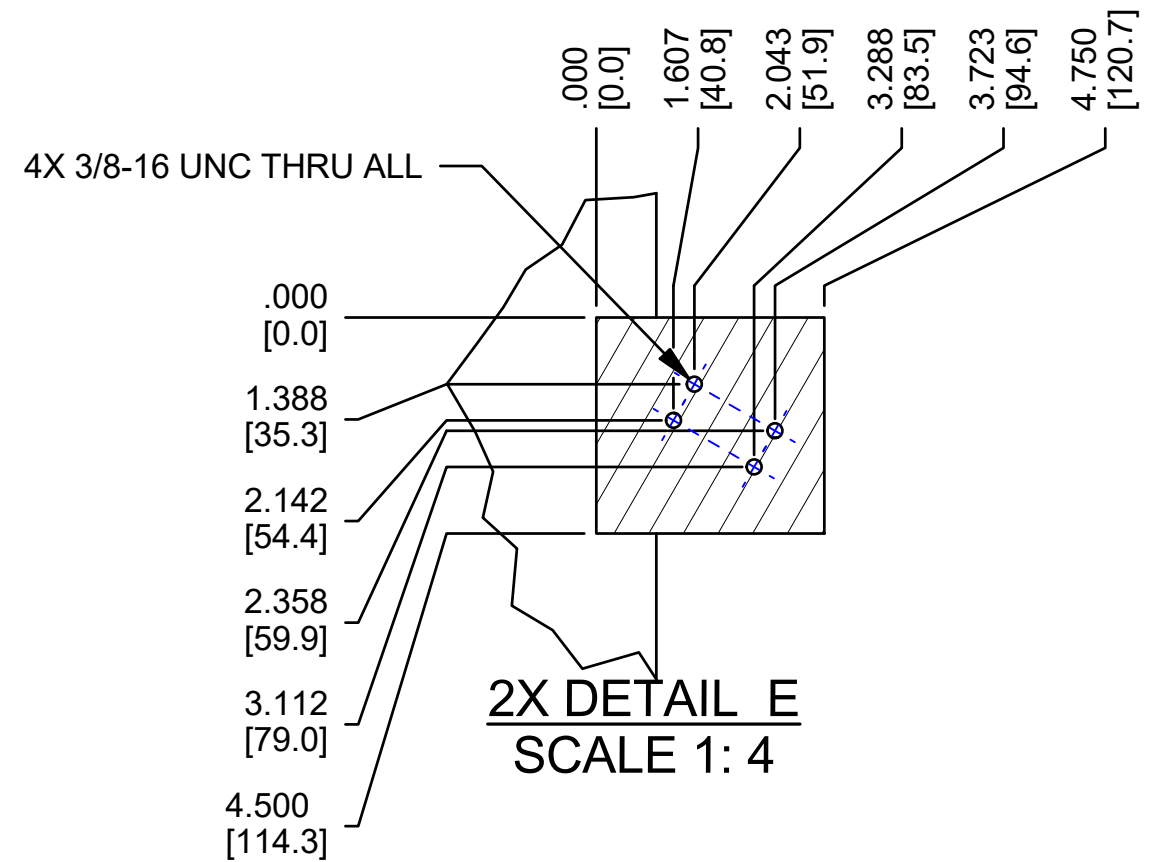
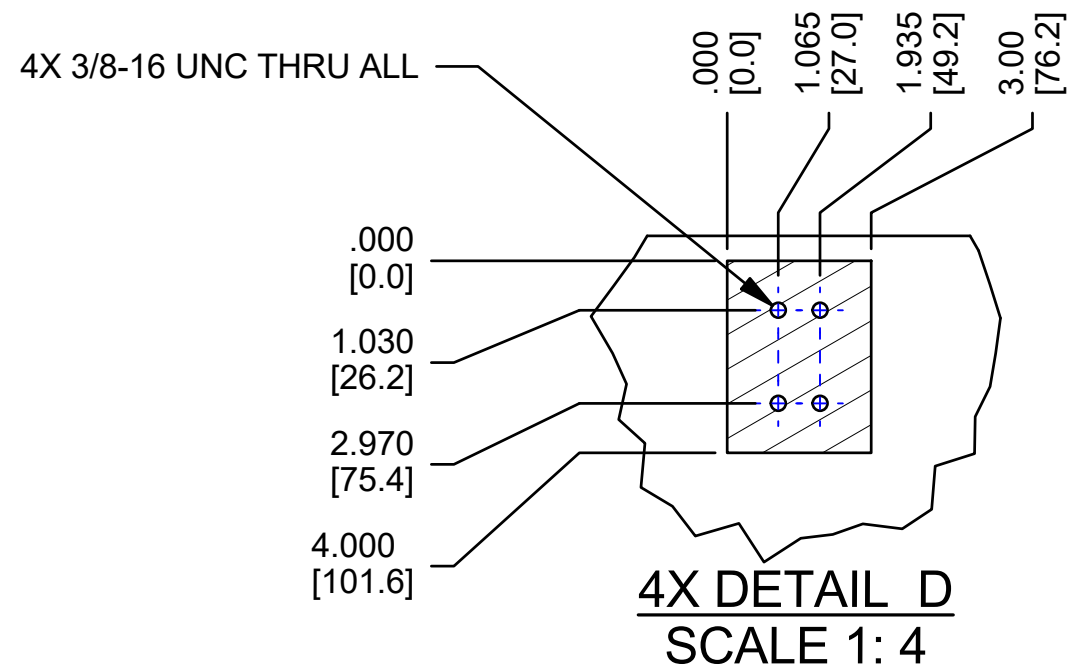
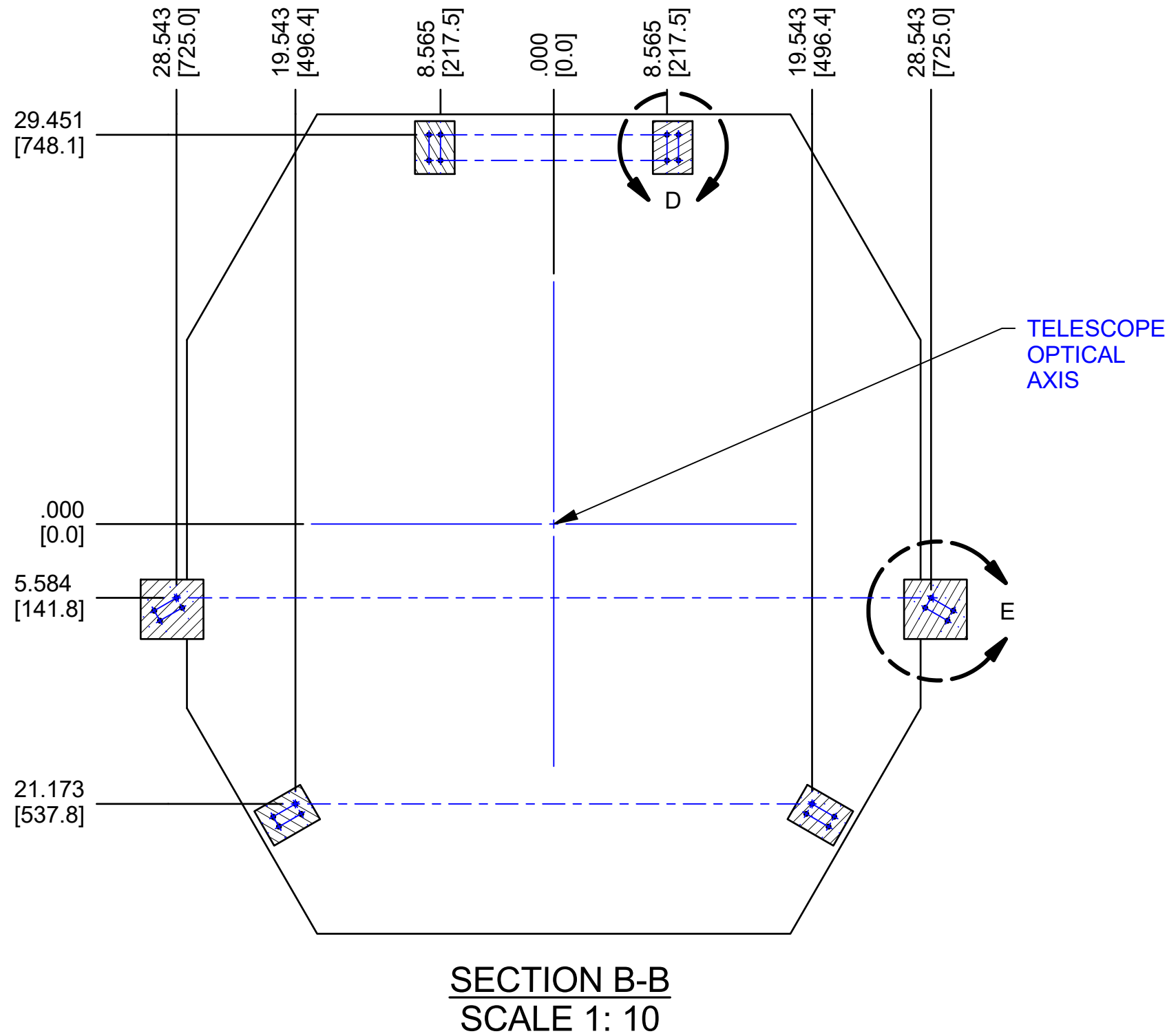
**SECONDARY MIRROR INTERFACE**  
SCALE 1: 10

**SECTION C-C**  
SCALE 1: 10

NOTES:  
TYPICAL BOLT PATTERN SHOWN FOR ATTACHMENT OF SECONDARY MIRROR TO SUPPORT LEGS. ACTUAL PATTERN TBD, SUBJECT TO VENDOR'S CHOSEN DESIGN.



DO NOT SCALE DRAWING INTERPRET DIMENSIONS AND TOLERANCES IN ACCORDANCE WITH ASME Y14.5M-94		THIS DRAWING CREATED IN: ACAD <input type="checkbox"/> MECH <input type="checkbox"/> IDEAS <input type="checkbox"/> INV <input checked="" type="checkbox"/>		Steward Observatory, University of Arizona 933 N. Cherry Avenue, Tucson, AZ 85721 (520)621-7659	
TOLERANCES UNLESS OTHERWISE SPECIFIED LINEAR .X = ± .1 .XX = ± .01 .XXX = ± .005 ANGULAR ± 1° DIAMETRICAL: SEE SPEC S-002 DIMENSIONS ARE IN INCHES / DIMENSIONS IN [ ] ARE METRIC		ENGINEER: J. GUZMAN	DATE: 4/10/2020	CATEGORY: TIM TELESCOPE	
MATERIAL: N/A		DESIGNED BY: M. SULLIVAN	DATE: 4/10/2020	PROJECT: TIM TELESCOPE ICD	
		DRAWN BY: M. SULLIVAN	DATE: 4/10/2020	TITLE: TIM TELESCOPE ICD	
		CHECKED BY: A. FERN	DATE: 4/10/2020		
		APPROVED: J. GUZMAN	DATE: 4/10/2020		
FINISH: N/A	NEXT ASSY	USED ON	APPROVED:	DATE:	DRAWING NUMBER: 37785
	ASSEMBLY APPLICATION		APPROVED:	DATE:	SHEET 2 OF 3
					REVISION: D



NOTES:  
TYPICAL BOLT PATTERN SHOWN FOR ATTACHMENT OF PRIMARY MIRROR TO GONDOLA ELEVATION STRUCTURE. ACTUAL PATTERN TBD, SUBJECT TO VENDOR'S CHOSEN DESIGN.

DO NOT SCALE DRAWING INTERPRET DIMENSIONS AND TOLERANCES IN ACCORDANCE WITH ASME Y14.5M-94	THIS DRAWING CREATED IN: ACAD <input type="checkbox"/> MECH <input type="checkbox"/> IDEAS <input type="checkbox"/> INV <input checked="" type="checkbox"/>	Steward Observatory, University of Arizona 933 N. Cherry Avenue, Tucson, AZ 85721 (520)621-7659	
TOLERANCES UNLESS OTHERWISE SPECIFIED LINEAR .X = ± .1 .XX = ± .01 .XXX = ± .005 ANGULAR ± 1° DIAMETRICAL: SEE SPEC S-002 DIMENSIONS ARE IN INCHES / DIMENSIONS IN [ ] ARE METRIC	ENGINEER: J. GUZMAN DESIGNED BY: M. SULLIVAN DRAWN BY: M. SULLIVAN CHECKED BY: A. FERN APPROVED: J. GUZMAN	DATE: 4/10/2020 DATE: 4/10/2020 DATE: 4/10/2020 DATE: 4/10/2020 DATE: 4/10/2020	CATEGORY: TIM TELESCOPE PROJECT: TIM TELESCOPE ICD TITLE: TIM TELESCOPE ICD
MATERIAL: N/A	NEXT ASSY	USED ON	DRAWING NUMBER: 37785
FINISH: N/A	ASSEMBLY APPLICATION	APPROVED:	SHEET 3 OF 3
		DATE:	REVISION: D