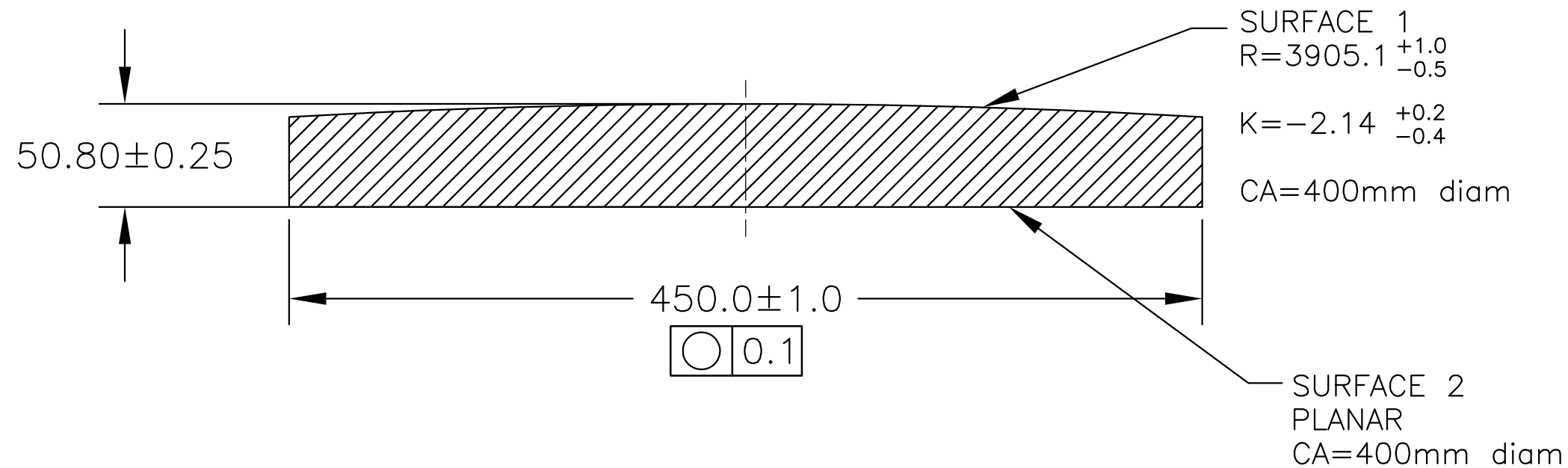


REVISIONS				
LTR	DESCRIPTION	DATE	REVISED BY	APPROVED
A	INITIAL RELEASE	04/04/09	J. VALENZUELA	
B	REVISED SPECIFICATIONS	08/31/09	O. DURNEY	
C	REVISED SCRATCH-DIG SPECIFICATIONS	09/29/09	O. DURNEY	V. GASHO



SPECIFICATIONS:

- 1) ALL DIMENSIONS IN MILLIMETERS
- 2) BEVEL ALL EDGES 45° TO 1.5mm RADIALLY (2.1mm FACEWIDTH)
- 3) OPTICAL AXIS OF ASPHERE MUST BE CONCENTRIC WITH MECHANICAL AXIS TO WITHIN 0.25mm
- 4) WEDGE OVER 450mm MUST BE WITHIN 0.01°
- 5) ASPHERIC SURFACE 1 FLATNESS 1/10TH WAVE PTV AND 1/40TH WAVE RMS AT 632.8nm OVER 400mm CLEAR APERTURE
- 6) ASPHERIC SURFACE 1 ROUGHNESS <15 ANGSTROMS RMS (FINALIZE POLISHING WITH PITCH AND ROUGE)
- 7) PLANAR SURFACE 2 FLATNESS 1/5TH WAVE PTV AND 1/20TH WAVE RMS AT 632.8nm OVER 400mm CLEAR APERTURE
- 8) PLANAR SURFACE 2 ROUGHNESS <15 ANGSTROMS RMS (FINALIZE POLISHING WITH PITCH AND ROUGE)
- 9) INDEX UNCERTAINTY ±20ppm
- 10) MATERIAL IS CORNING HPFS STANDARD GRADE FUSED SILICA: GRADE "A" CLASS "1"
 - 10a) INDEX HOMOGENEITY <1ppm
 - 10b) TOTAL INCLUSION CROSS SECTION <0.10mm²/100cm³ & MAXIMUM SIZE 0.28mm
- 11) SCRATCH DIG: PLANAR SURFACE 60-40, CONVEX SURFACE 60-40.
- 12) POLISH EDGES, BEVELS
- 13) COATING PERFORMANCE PLOT SUPPLIED BY VENDOR (ACTUAL AND/OR THEORETICAL)

INCHES		THIS DRAWING CREATED IN:			Steward Observatory, University of Arizona 933 N. Cherry Avenue, Tucson, AZ 85721 (520)621-7659					
INTERPRET DIMENSIONS AND TOLERANCES IN ACCORDANCE WITH ASME Y14.5M-94		ACAD	MECH	IDEAS	DESIGNED BY:	DATE:	CATEGORY:			
TOLERANCES UNLESS OTHERWISE SPECIFIED		<input checked="" type="checkbox"/>	<input type="checkbox"/>	<input type="checkbox"/>	J. VALENZUELA	APR 8, 2009	ARGOS LASER LAUNCH TELESCOPE			
LINEAR					DRAWN BY:	DATE:	PROJECT:			
ANGULAR					J. VALENZUELA	APR 8, 2009	ARGOS			
.X = --					CHECKED BY:	DATE:	TITLE:			
.XX = --					J. NOENICKX	09/29/09	LLT LARGE ASPHERE LENS			
.XXX = --					APPROVED:	DATE:				
DIAMETRICAL					V. GASHO	09/29/09				
SEE SPEC S-002					APPROVED:					
DIMENSIONS ARE IN INCHES / DIMENSIONS IN [] ARE METRIC					APPROVED:		PLOT SIZE	SCALE:	DRAWING NUMBER:	REVISION:
MATERIAL					APPROVED:		B		ARGOS-001	C
CORNING HPFS		NEXT ASSY	USED ON		APPROVED:					
GRADE A CLASS 1										
FINISH		ASSEMBLY APPLICATION			CURRENT TIME/DATE/FILE LOCATION:					
SEE SPECS					DRAWING ARCHIVE LOCATION:					